

PNEUMATIC CUTTERS BEHIND THE SEWING FOOT OF A SEWING MACHINE

TAPE CUTTING BEHIND THE NEEDLE – CHAIN CUTTER

The guillotine chain cutter is designed to be effective behind the sewing foot.

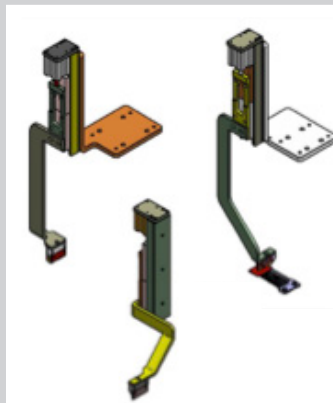
A hardened steel knife strikes a steel plate, squeezing the thread chain. This system does not require a Counter Knife. The Chain Cutter is available for both airbag applications and as a hot cutter to melt thread chains.

SPECIAL FEATURES:

- Pneumatic cutters behind the sewing foot of a sewing machine
- Rapid cutting and guillotining for any cut widths
- Hot cutter with hot wire thread melter for airbag seams.
- For all common sewing machine makes

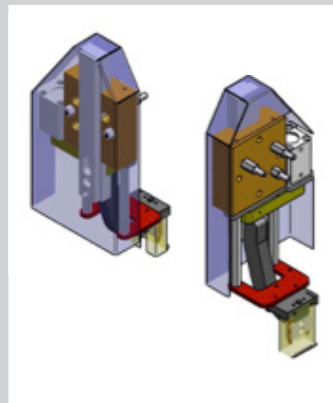
WE DIFFERENTIATE BETWEEN THREE DIFFERENT SYSTEMS

- Chopper – a vertical steel knife strikes a throat plate and separates the thread chain.
- Hot wire chain cutter – a hot filament separates and seals the thread chain.
- Guillotine – an upper knife cuts the thread chain or a tape against a lower knife integrated in the throat plate.



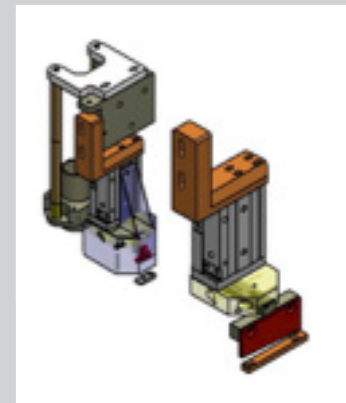
a.) Chopper

order-number	brand	width
921594	DA 195	30 mm
92159	DA 477	30 mm
42277	Juki	30 mm
921592	Kansai	30 mm
40956	Pfaff 2542	30 mm
921593	SunStar	30 mm



b.) Hot wire chain Cutter

order-number	brand	width
92165	DA 195	30 mm
921651	Tischgerät	30 mm
921653	DA M-Type	30 mm



c.) Guillotine knife behind the sewing foot

order-number	brand	width
41291	DA 867	20 mm
60766	ZZ Nähmasch.	20 mm
607661	2NA	20 mm
66594	12 Nadel M.	60 mm
63683	DA 195	60 mm
636834	DA 867	60 mm
88109	Mehrnadel M.	70 mm
636832	Jeans-Bund	100 mm